

4 in 1 Height Adjustable Ergonomic Stand suitable for 2.6 ~ 4.0 Kg monitors (23.6" ~ 28")

Loading range: 2.6~4.0kg (± 0.1 kg)

Lift: 150 \pm 5mm

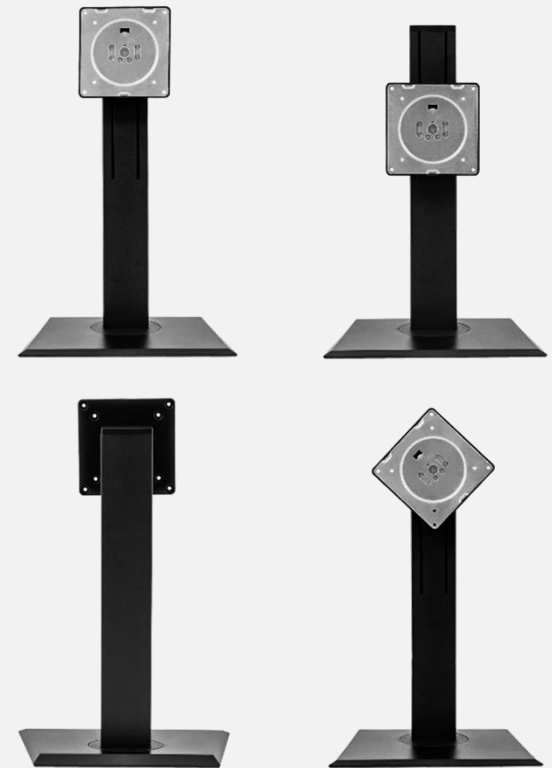
Swivel: $-60^{\circ} \pm 3^{\circ} \sim 60^{\circ} \pm 3^{\circ}$

Pivot: $-90^{\circ} \pm 2^{\circ} \sim 90^{\circ} \pm 2^{\circ}$

Tilt: $-5^{\circ} \pm 2^{\circ} \sim 22^{\circ} \pm 2^{\circ}$

VESA 100x100 & 75x75 mm

Tool-less screw design (Stand)



Durability: Height Adjustable Mechanism durable for a minimum of x2500 adjustable movements

Weight supported range : 2.6 ~ 4.0 kg (23.6" ~ 28")

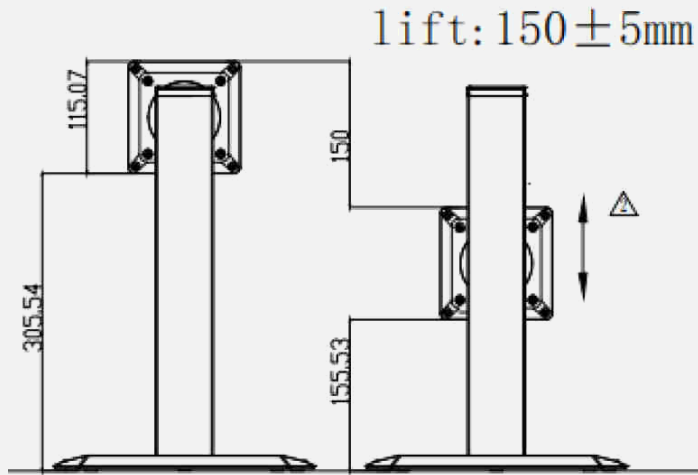
Product Dimension: 267.63 x 188.4 x 420.63 mm (W x D x H)

Packaging Dimension: 440 x 235 x 145 mm

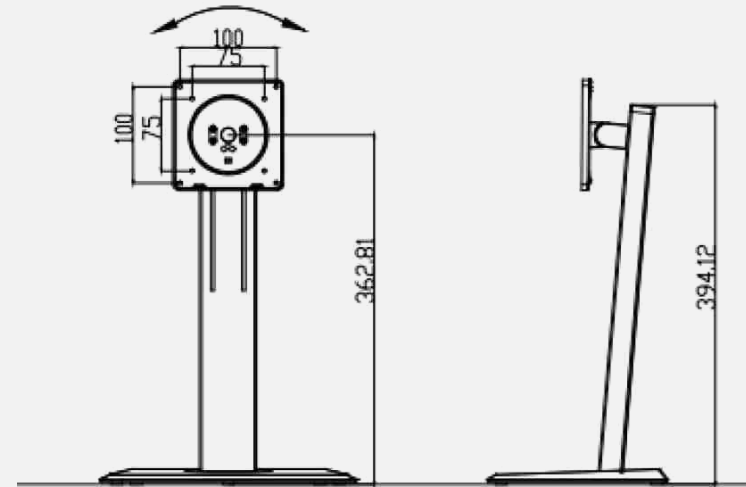
Net Weight: 1.87 Kg Gross Weight: TBC Kg

PART. NO.:
80-04000014G000

EAN CODE.:
4711404023552



Pivot: $-90^\circ \pm 2^\circ \sim 90^\circ \pm 2^\circ$;



Tilt: $-5^\circ \pm 2^\circ \sim 22^\circ \pm 2^\circ$

